



TikTok



Instagram



YouTube



FaceBook

**Wuxi Tarns Technology Co.,Ltd.**

Address: T-Cube Cultural & Tech Innovation Park, No. 402 Hongye  
East Road, Xishan District, Wuxi City, China

E-mail: [ivysun@tarns.com.cn](mailto:ivysun@tarns.com.cn)13861782630

<http://www.tarns.vip>

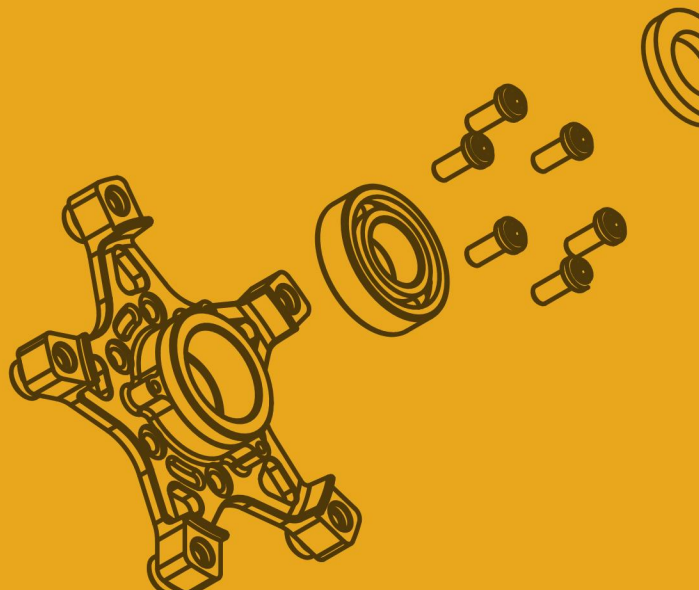
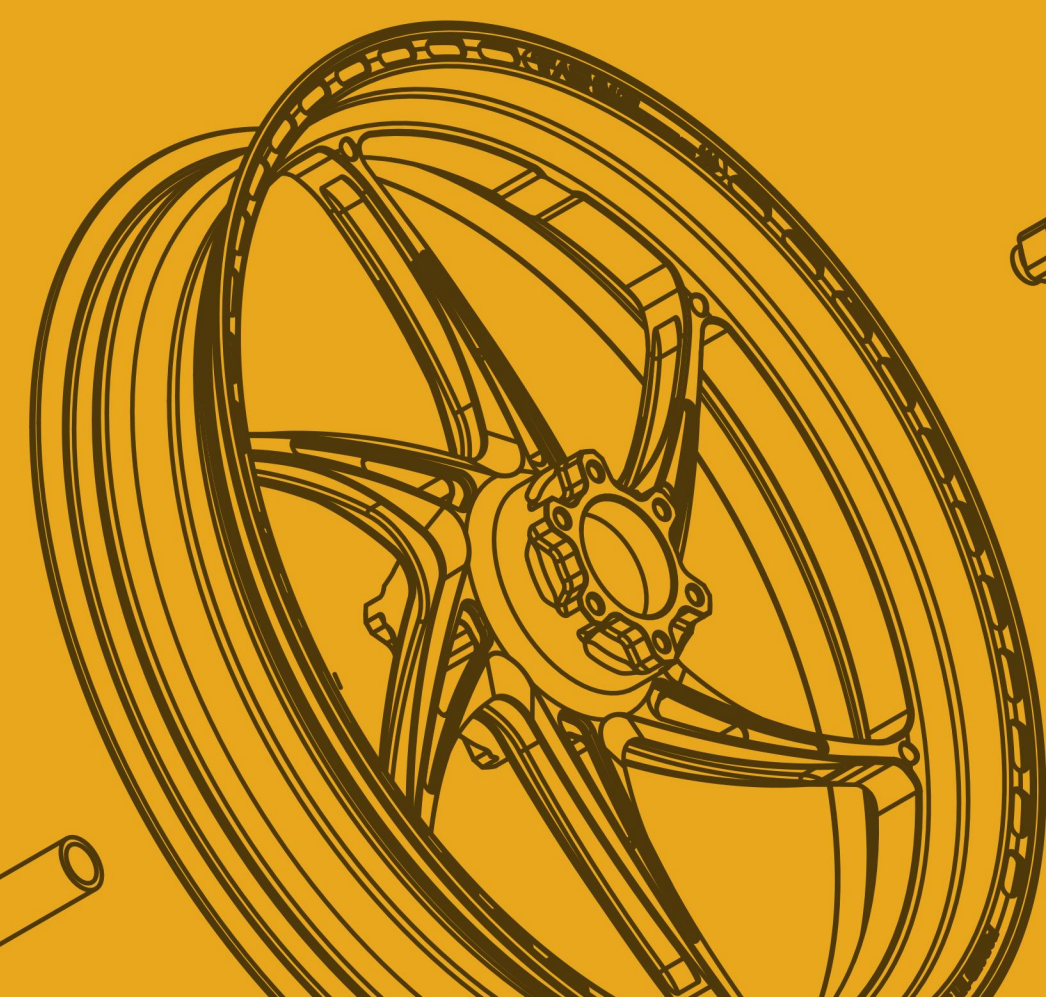
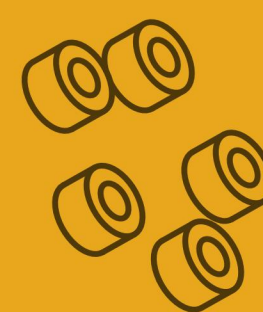


# 2025

# PRODUCT GUIDE

## For Motorbike

**PRODUCT GUIDE 2025**



Investment Invitation



WhatsApp



Wechat

钛斯锻造



# Contents

Tarns Brand Introduction	01
Craftsmanship & Production	03
Full Product Range	05
Compatible Motorcycle Brand	13
YAMAHA	14
Kawasaki	19
Honda	25
DUCATI	31
KOVE	35
Triumph	39
32 Anodized Color Options	43
Product Components Display	48
Sales & Distribution Network	55



As a globally leading forged motorcycle wheel brand, TARNES Wheel Factory has completed the construction of its Phase II new plant, covering a total production area of 30,000 square meters with an annual output capacity of 200,000 motorcycle wheels.

TARNIS is a benchmark brand in China's high-end forged wheel industry. Founded in 2020, the brand is dedicated to the research and development of lightweight forged wheels for both automobiles and motorcycles.

Currently, TARNIS has established strategic partnerships with Ducati, BMW, KOVE, and CFMOTO. The motorcycle forged wheels are manufactured using 6061-T6 aluminum alloy with 10,000-ton forging technology, resulting in a strength increase of up to 25%. The product also includes titanium bolts and 7075-T6 forged sprockets, embodying the brand philosophy: Born to Ride.

TARNIS forged wheels are widely compatible with Ducati, BMW, Honda, Yamaha, Kawasaki, KOVE, CFMOTO, and other brands. For undevelopment models, TARNIS offers exclusive customization service. Without compromising the strength of the product, each set of wheels can be reduced in weight by 5kg, significantly enhancing acceleration and performance.



TARNIS forged wheels have been used in WSBK, MotoGP, BSB, and other top international racing events, showcasing outstanding performance on the track.





Factory Production Line



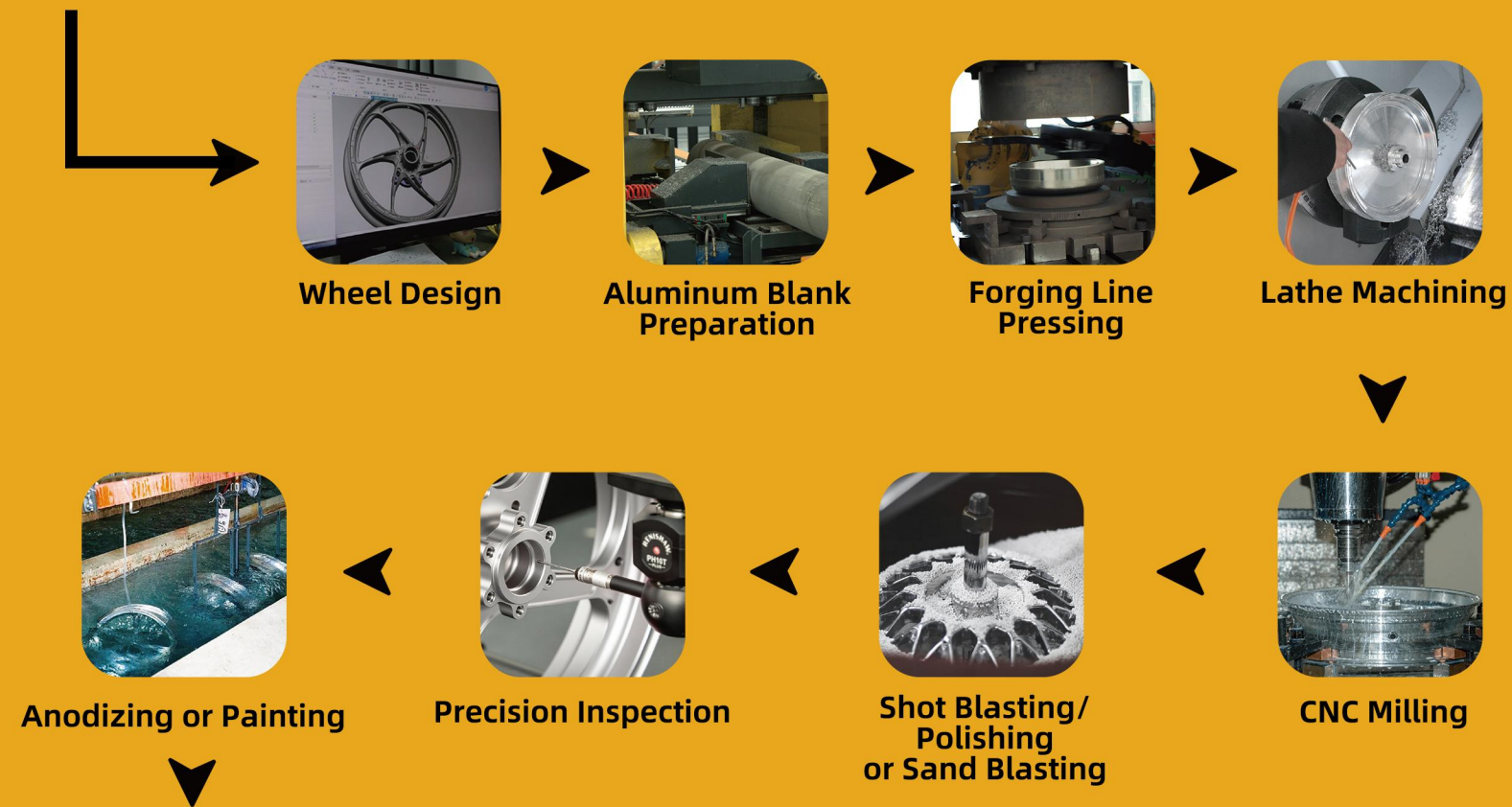
CNC Machining Hub



10,000-Ton Forming Forging Press

Tarns Factory, a global leader in forged motorcycle wheels, has completed its new Phase II plant. Covering 30,000 m<sup>2</sup>, it produces 200,000 wheels annually. The facility includes 70 CNC machining centers, 30 milling centers, and a dedicated heat treatment and forging workshop. Key forging equipment includes a 4,000-ton pre-forging press, 10,000-ton forming press, 800-ton hole-expanding press, and spinning machines—capable of processing materials for aircraft engine blades and large marine engine components.

## Manufacturing Process



Finished Product

- 1、 Design & Analysis: Customize designs and perform stress tests.
- 2、 Material Prep: Create molds, cut alloy, and heat-treat.
- 3、 Forging: Shape using hot die forging.
- 4、 Rough Machining: Achieve basic dimensions with lathes.
- 5、 Precision Machining: CNC refining.
- 6、 Surface Treatment: Shot blasting/polishing/sandblasting.
- 7、 Quality Check: 3D scanning + dynamic balance tests.
- 8、 Coating: Anodizing or spray painting with baking.
- 9、 Final Product: Anodize or spray-paint with baking.



# Full Product Range



\*Scan the QR code to access the latest version

YAMAHA					
CODE	MODEL APPLICATION	YEAR #①	SIZE	N.W.	OTHER
GM003-02	X-MAX300	2015-2022	Front : 15 - 3.50j Rear : 14 - 4.00j	Front : 2.00kg Rear : 2.16kg	Double Disc
GM003-02S				Front : 2.00kg Rear : 2.16kg	
GM003-03				Front : 2.14kg Rear : 2.24kg	
GM004-02	YZF-R3	2015-2018 2019-2024	Front : 17 - 2.90j Rear : 17 - 3.00j	Front : 2.10kg Rear : 2.15kg	
GM007-03	T-MAX530/560	530:2012-2016 2017-2019	Front : 15 - 3.50j Rear : 15 - 5.00j	Front : 2.81kg Rear : 3.02kg	
GM007-04		560:2020-2021 2022-2025		Front : 2.19kg Rear : 2.84kg	
GM011-01	YZF-R6	2008-2016	Front : 17 - 3.50j Rear : 17 - 5.50j	Front : 2.77kg Rear : 3.55kg	Without ABS
GM011-01X		2017-2025		Front : 2.77kg Rear : 3.98kg	With ABS
GM013-02	MT-09/SP	2014-2016 2017-2025	Front : 17 - 3.50j Rear : 17 - 5.50j	Front : 2.55kg Rear : 3.44kg	
GM019-01	YZF-R15	2017-2025	Front : 17 - 2.50j Rear : 17 - 3.50j Rear : 17 - 4.00j	Front : 2.28kg Rear : 2.57kg Rear : 2.64kg	

#① Product Year Matching Information, based on the official launch date in Mainland China.

#② Front Wheel Specification: 15-3.50j 15 → Diameter is 15 inches. 3.50j → Width is 3.50 inches.

CODE	MODEL APPLICATION	YEAR	SIZE	N.W.	OTHER
GM025-01	NVX-155		Front : 14 - 2.50j Rear : 14 - 3.50j	Front : 1.94kg Rear : 2.20kg	NVX AEROSPORTS-155
GM025-03				Front : 1.84kg Rear : 2.31kg	NVX AEROX 155
GM034-01	BWS125		Front : 12 - 2.75j Rear : 12 - 3.00j	Front : 1.91kg Rear : 1.70kg	
GM039-01	YZF-R1	2009-2014	Front : 17 - 3.50j Rear : 17 - 6.00j	Front : 2.63kg Rear : 3.60kg	
GM041-01	N-MAX 155	2020-2024	Front : 13 - 3.00j Rear : 13 - 3.50j	Front : 2.11kg Rear : 2.34kg	
HONDA					
GM002-04	Forza350 X-ADV350	2022-2025	Front : 15 - 3.50j Rear : 14 - 4.00j	Front : 2.02kg Rear : 2.12kg	
GM002-05				Front : 2.15kg Rear : 2.23kg	
GM014-01	CB1000R		Front : 17 - 3.50j Rear : 17 - 6.00j	Front : 3.38kg Rear : 4.00kg	
GM014-03				Front : 2.86kg Rear : 3.72kg	
GM018-02	CBR250RR (AP250)	2022-2025	Front : 17 - 2.75j Rear : 17 - 4.00j	Front : 2.55kg Rear : 2.88kg	
GM018-03				Front : 2.44kg Rear : 2.77kg	
GM024-01	X-ADV750		Front : 17 - 3.50j Rear : 17 - 4.50j	Front : 2.66kg Rear : 2.69kg	
GM031-02	NS125LA		Front : 12 - 2.15j Rear : 12 - 2.50j	Front : 1.67kg Rear : 2.05kg	

## Kawasaki

CODE	MODEL APPLICATION	YEAR	SIZE	N.W.	OTHER
GM005-02	Ninja500/400 /Z400		Front : 17 - 2.75j Rear : 17 - 4.00j	Front : 2.51kg Rear : 2.90kg	Race Version
			Front : 17 - 3.00j Rear : 17 - 4.00j	Front : 2.60kg Rear : 2.90kg	
GM012-01			Front : 17 - 3.50j Rear : 17 - 4.50j	Front : 2.58kg Rear : 3.32kg	
			Front : 17 - 3.50j Rear : 17 - 5.50j	Front : 2.58kg Rear : 3.47kg	
GM012-02	ZX-4RR	2023	Front : 17 - 3.00j : 17 - 3.50j	Front : 2.61kg : 2.67kg	
			: 17 - 4.25j Rear : 17 - 4.50j	: 3.34kg Rear : 3.41kg	
			: 17 - 5.50j	: 3.67kg	
GM016-02	Z900/RS		Front : 17 - 3.50j Rear : 17 - 5.50j	Front : 2.66kg Rear : 3.51kg	
GM021-01	ZX-6R	2019-2025	Front : 17 - 3.50j Rear : 17 - 5.50j	Front : 2.58kg Rear : 3.43kg	
GM029-02	Z1000R	2018-2025	Front : 17 - 3.50j Rear : 17 - 6.00j	Front : 2.87kg Rear : 3.70kg	

## aprilia

CODE	MODEL APPLICATION	YEAR	SIZE	N.W.	OTHER
GM015-01	RS660 /Tuono660	2021-2025	Front : 17 - 3.50j Rear : 17 - 5.50j	Front : 2.67kg Rear : 3.38kg	
GM015-03				Front : 3.16kg Rear : 3.95kg	
GM017-01	RSV4 /TuonoV4	2009-2025	Front : 17 - 3.50j Rear : 17 - 6.00j	Front : 2.61kg Rear : 3.62kg	
GM043-01	SRGT200		Front : 14 - 2.50j Rear : 13 - 3.00j	Front : 2.18kg Rear : 1.78kg	
<b>BMW</b>					
GM020-01	S1000RR-M	2021-2022	Front : 17 - 3.50j Rear : 17 - 6.00j	Front : 2.78kg Rear : 3.75kg	
GM027-01	S1000RR	2010-2018 2019-2022	Front : 17 - 3.50j Rear : 17 - 6.00j	Front : 2.75kg Rear : 3.75kg	
GM030-01	C400GT/sport		Front : 15 - 3.50j Rear : 14 - 4.25j	Front : 2.40kg Rear : 2.33kg	
<b>DUCATI</b>					
GM006-03	Panigale V2/V4/V4R/S		Front : 17 - 3.50j Rear : 17 - 6.00j	Front : 2.90kg Rear : 3.68kg	Single-Sided Swingarm
GM006-03S	Panigale V2/V4/V4R/S	2025		Front : 2.85kg Rear : 3.80kg	Double-Sided Swingarm
GM006-04S				Front : 2.68kg Rear : 3.63kg	

**vespa**

CODE	MODEL APPLICATION	YEAR	SIZE	N.W.	OTHER
GM008-01	Sprint150/ Primavera 150/ GTS/ Sei Giorni/ GTV/ 946		Front : 12 - 3.0j Rear : 12 - 3.0j	Front : 1.99kg Rear : 1.99kg	
GM008-02				Front : 2.02kg Rear : 2.02kg	
GM008-03				Front : 2.15kg Rear : 2.15kg	

**ZKOVE**

GM022-01	450R/RR		Front : 17 - 3.50j Rear : 17 - 4.50j	Front : 2.65kg Rear : 3.46kg	
			Front : 17 - 3.50j Rear : 17 - 5.50j	Front : 2.65kg Rear : 3.59kg	Rear wheel (Widened)
GM038-01	321RR/R 350RR/R		Front : 17 - 3.00j Rear : 17 - 4.25j	Front : 2.36kg Rear : 3.28kg	

 **SUZUKI**

GM037-01	GSX-1000R		Front : 17 - 3.50j Rear : 17 - 6.00j	Front : 2.87kg Rear : 3.68kg	
GM040-01	SV650	2021	Front : 17 - 3.50j Rear : 17 - 5.00j	Front : 2.67kg Rear : 3.37kg	

 **CFMOTO**

GM010-02	450SR/NK	2022	Front : 17 - 3.00j Rear : 17 - 4.00j	Front : 2.19kg Rear : 2.57kg	Double-Sided Swingarm
GM023-01	675SR/NK		Front : 17 - 3.50j Rear : 17 - 5.50j	Front : 2.66kg Rear : 3.73kg	

**SYM**

CODE	MODEL APPLICATION	YEAR	SIZE	N.W.	OTHER
GM035-01	DRG-158		Front : 13 - 3.00j Rear : 13 - 3.50j	Front : 2.14kg Rear : 2.05kg	
GM036-01	JET-SL-150		Front : 12 - 2.50j Rear : 12 - 3.00j	Front : 1.87kg Rear : 1.99kg	

 **ZXMOTO**

GM042-01	500RR/R		Front : MT3.50-17j Rear : MT5.50-17j	Front : 2.62kg Rear : 3.69kg	Single-Sided Swingarm
GM042-01S				Front : 2.62kg Rear : 3.58kg	Double-Sided Swingarm

**QJMOTOR**

GM009-03	SRK600		Front : 17 - 3.50j Rear : 17 - 5.50j	Front : 2.61kg Rear : 3.40kg	
GM032-01	SRK800		Front : 17 - 3.25j Rear : 17 - 5.50j	Front : 2.71kg Rear : 3.56kg	
			Front : 17 - 3.50j Rear : 17 - 5.50j	Front : 2.73kg Rear : 3.56kg	

**Benelli**

GM009-03	TNT 899		Front : 17 - 3.50j Rear : 17 - 5.50j	Front : 2.66kg Rear : 3.54kg	
	TNT 1130		Front : 17 - 3.50j Rear : 17 - 6.00j	Front : 2.66kg Rear : 3.60kg	

# TRIUMPH

CODE	MODEL APPLICATION	YEAR	SIZE	N.W.	OTHER
GM028-02	765RS/R	2017-2020 2021-2023	Front : 17 - 3.50j Rear : 17 - 5.50j	Front : 2.63kg Rear : 3.62kg	

# VMC

GM033-01	Mini GP		Front : 12 - 2.50j Rear : 12 - 3.00j	Front : 1.56kg Rear : 1.83kg	MINI GP
----------	---------	--	---	---------------------------------	---------

# ZONTES

GM026-01	703RR/R		Front : 17 - 3.50j Rear : 17 - 5.50j	Front : 2.63kg Rear : 3.74kg	
----------	---------	--	---	---------------------------------	--

## Electric Motorbike

GM001-01	Niu Ninebot Electric motorbike	12-2.15J Single Disc	1.46kg	2.15J
		12-2.15J Single Disc Narrow Hub	1.41kg	
		12-2.15J Double DiscWidth	1.51kg	
		12-2.50J Single Disc	1.55kg	2.5J
		12-2.50J Single Disc Narrow Hub	1.47kg	
		12-2.50J Double DiscWidth	1.59kg	
		12-2.50J Double DiscWidth Narrow Hub	1.48kg	

CODE	MODEL APPLICATION	YEAR	SIZE	N.W.	OTHER
GM001-01	Niu Ninebot Electric motorbike		12-2.75J Single Disc	1.55kg	2.75J
			12-2.75J Single Disc Narrow Hub	1.48kg	
			12-2.75J Double DiscWidth	1.59kg	
			12-2.75J Double DiscWidth Narrow Hub	1.47kg	

## Scan the QR code for More Information

Whether it's brand, design, or size, any requirement not listed in catalog can be custom-made to perfectly suit your unique needs.

### Investment Invitation



ISO9001 Certificate : 30825QZ0133R0



DOT Registration : 24768



Forging Chainring Matching Data Sheet		520	38	415	42	415	53
Thickness	Teeth	520	43	415	44	415	55
525	42	520	44	415	45	415	56
525	43	520	45	415	46	415	57
525	44	520	46	415	49	415	58
525	45	520	47	415	50		
525	46	520	48	415	51		
525	47	415	41	415	52		

Scan the QR code to view the certification.



Scan the QR code to access the latest version

## **Compatible Motorcycle Brand & Model Examples**

# **YAMAHA**



GM004-02



F : MT3.00-17J      W:2.15kg  
R : MT4.00-17J      W:2.64kg #③See notes on p.17.

GM004-02 (For Racing Use Only)



F : MT2.90-17J      W:2.10kg  
R : MT3.85-17J      W:2.55kg

TARNS forged wheels are made exclusively for the Yamaha R3 and proven in top domestic races.

Compatible Model & Years:

- Yamaha YZF-R3
- 2015-2018 (Non-ABS)
- 2019-2024



10,000-Ton Forging

Forged from 6061-T6 aluminum under 10,000 tons of pressure, TARNS wheels are twice as strong as cast wheels—and far lighter.



Enhanced Lightweight Accessories

- 6061-T6 Forged Aluminum Flange
- 7075-T6 Forged Aluminum Sprocket
- 6061-T6 Forged Aluminum Valve
- TC4 Titanium Alloy Bolts



Precision Machining

Each wheel undergoes runout and CMM testing, ensuring  $\leq 0.05\text{mm}$  tolerance and stable performance at 200+ km/h.



Extreme Weight Reduction

Critical areas like the rim and spoke grooves are weight-optimized without sacrificing strength, balancing lightness and performance.

#Ⓜ: Front wheel  
 R: Rear wheel  
 W: Net Weight (Excluding Accessories)  
 Front Wheel Specification: MT3.5-17J MT3.5 → Width is 3.50 inches  
 17J → Diameter is 17 inches

GM011-01



**YZF-R6**

F : MT3.5-17J W:2.77kg #Ⓜ  
 R : MT5.5-17J W:3.55kg

GM039-01



**YZF-R1**

F : MT3.5-17J W:2.63kg  
 R : MT6.0-17J W:3.60kg

GM013-02



**MT-09/SP**

F : MT3.5-17J W:2.55kg  
 R : MT5.5-17J W:3.44kg

GM019-01



**YZF-R15**

F : MT3.5-17J W:2.77kg  
 R : MT3.5/4.0-17J W:2.64/2.57kg

GM003-03



**XMAX-300**

F : MT3.5-15J W:2.14kg  
 R : MT4.0-14J W:2.24kg

GM007-04



**TMAX-560/530**

F : MT3.5-15J W:2.19kg  
 R : MT5.0-15J W:2.97kg

GM013-02



**NVX-155**

F : MT2.5-14J W:2.02kg  
 R : MT3.5-14J W:2.32kg

GM034-01



**BWS125**

F : MT2.75-12J W:1.91kg  
 R : MT3.00-12J W:1.70kg

**Kawasaki**



# Ninja 400



## GM005-01



F : MT3.00-17J    W:2.78kg  
R : MT4.00-17J    W:2.82kg

## GM005-02



F : MT3.00-17J    W:2.51kg  
R : MT4.00-17J    W:2.90kg

TARNS forged wheels, engineered for the Kawasaki Ninja 400, deliver race-winning performance.

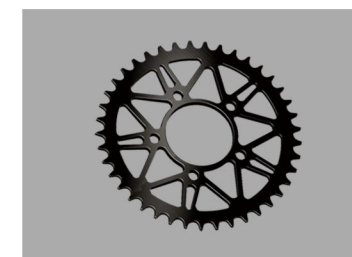
**Compatible Models & Years: Ninja 400 / 500**

**Applicable through 2025**



### Multiple Appearance Options

Customized choices based on rider preference and application, including J value, spoke design, and spoke count.



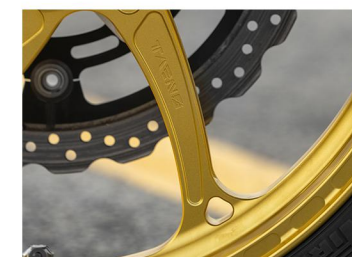
### Forged Sprocket

7075-T6 forged aluminum sprocket (42T-58T) - ultra-lightweight (0.16kg), high strength.



### NSK Bearings **NSK**

All models feature high-precision, low-resistance NSK racing bearings (Japan) for long-lasting reliability.



### Anodized Surface

Featuring vibrant colors and a durable protective aluminum oxide film.

32 color combinations  
2 finishes: Gloss / Matte  
16 anodized colors  
(see pages 43-47)

GM012-02



**ZX-4RR**

F : MT3.5-17J    W:2.61kg  
R : MT5.5/4.5-17J    W:3.67/3.34kg

GM021-01



**ZX-6R**

F : MT3.5-17J    W:2.58kg  
R : MT5.5-17J    W:3.43kg

GM016-02



**Z900/RS**

F : MT3.5-17J    W:2.66kg  
R : MT5.5-17J    W:3.51kg

GM029-02



**Z1000/R**

F : MT3.5-17J    W:2.87kg  
R : MT6.0-17J    W:3.70kg





**HONDA**



**GM014-01**



F : MT3.50-17J    W:3.38kg  
R : MT6.00-17J    W:4.00kg

**TARNS Forged Custom Version**

Inspired by customer design concepts, crafted by TARNS to bring exclusive ideas to life.

**Compatible Model: Honda CB1000R**



GM018-02



**CBR250R/AP**

F : MT2.75-17J    W:2.55kg  
R : MT4.00-17J    W:2.88kg

GM002-04



**Forza 350**

F : MT3.50-15J    W:2.02kg  
R : MT4.00-14J    W:2.12kg

GM024-01



**X-ADV750**

F : MT3.00-17J    W:2.66kg  
R : MT4.00-15J    W:2.69kg

GM031-01



**NS125 LA**

F : MT2.15-12J    W:1.49kg  
R : MT2.50-12J    W:1.96kg







## GM006-01 Single-Sided Swingarm



F : MT3.50-17J    W:2.90kg  
R : MT6.00-17J    W:3.68kg

## GM006-4S Double-Sided Swingarm



F : MT3.50-17J    W:2.68kg  
R : MT6.00-17J    W:3.63kg

TARNS forged wheels, designed for Ducati V4, are race-proven by Team YL04 with podium wins.

**Compatible Models & Years:**  
Panigale V4 / V4S / V2 / V4R  
2021-2022 (Single-Sided Swingarm)



### Professional Rider Track Testing

TARNS partners with Team YL04 to co-develop Ducati V4 forged wheels, rigorously tested and refined for optimal performance.



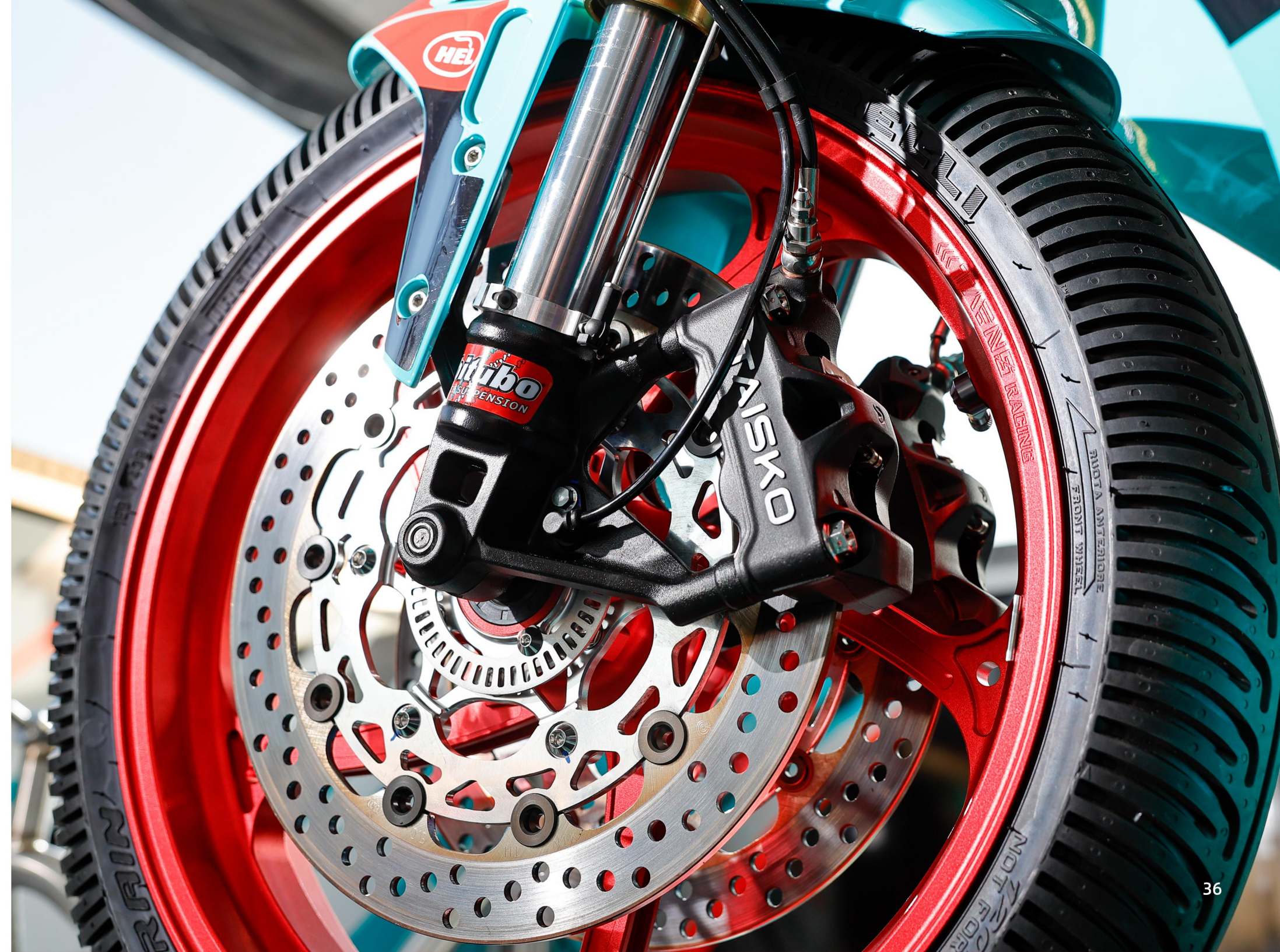
TARNS forged wheels enhance cornering speed in S-curves.



### Lightweight Design

TARNS, guided by pro racers, optimizes weight reduction for peak performance.

ZKOVE





**GM022-01**



F : MT2.65-17J      W:2.90kg  
R : MT4.50-17J      W:3.46kg



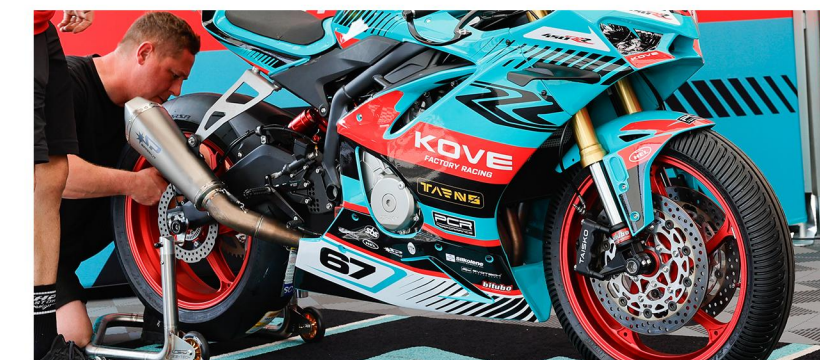
In 2025, TARNs partnered with KOVE Motorcycles, backing their WSBK and Isle of Man TT campaigns. Race data drives continuous product improvement.

**Compatible Models & Years: 450RR / R  
2022-2025**



**Designed for the Isle of Man TT**

TARNs forged the exclusive 450RR Isle of Man Edition wheels for KOVE's PCR team, using BSB data to optimize performance for the Isle of Man TT.



**Lightweight**

TARNs improves its products with feedback from PCR team riders and mechanics, ready for the Isle of Man TT.

As a leading Chinese forging brand, TARNs lives by 'Born To Ride'—aligning with KOVE's 'Focus on Performance' to push the limits of performance and riding.



TRIUMPH



GM028-02



F : MT2.65-17J      W:2.63kg  
R : MT5.50-17J      W:3.62kg



Developed for the Triumph 765, perfectly fit the three-cylinder beast infused with MotoGP technology.

**Compatible Models & Years: Street Triple 765RS / R**  
2017-2020  
2021-2023



**Standard Colors**

2 Surface Finish : Gloss /Matte

7 standard colors ,9 premium custom colors,16 unique color options

These can be combined into 32 unique color configurations

Meeting your personalized product needs with style and innovation



Light Gold



Matte Light Gold



Gold



Matte Gold



Titanium Gray



Matte Titanium Gray



Silver



Matte Silver



Midnight Black



Matte Midnight Black



Bronze



Matte Bronze



Tianium Gold



Matte Tianium Gold

# - Premium Custom Colors -

More diverse high-end custom colors to meet highly personalized user needs.



Red



Matte Red



Rose Red



Matte Rose Red



Green



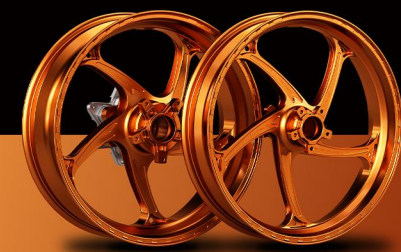
Matte Green



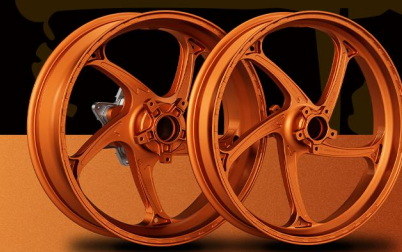
Ice Blue



Matte Ice Blue



Orange



Matte Orange



Sapphire Blue



Matte Sapphire Blue



Purple



Matte Purple



Rose Gold



Matte Rose Gold



Windsor Green



Matte Windsor Green

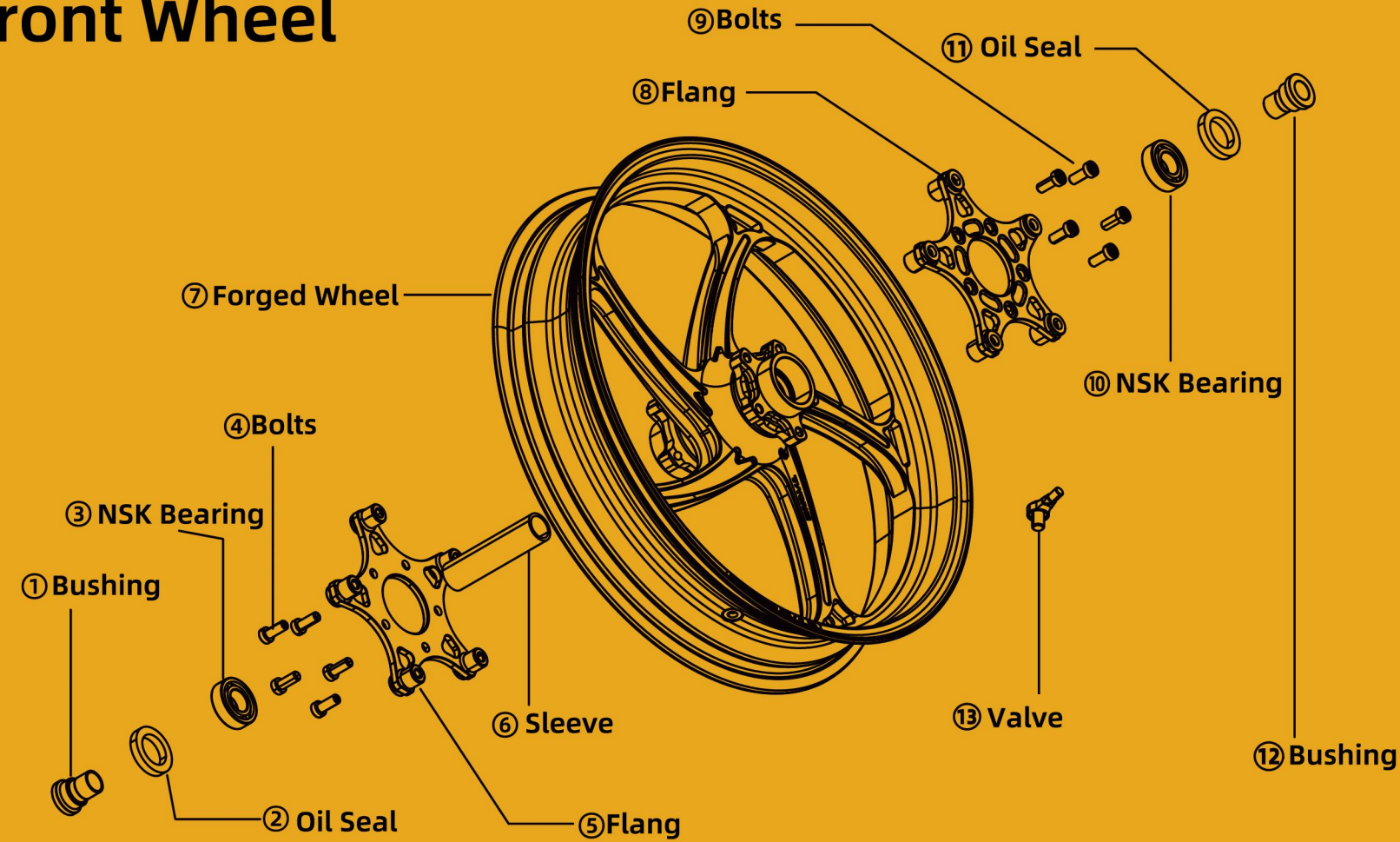
NEVER GIVE UP YOUR DREAMS



High degree of customization, offering more premium client-tailored solutions.

# Product Components Display

# Geared Motorcycle Front Wheel

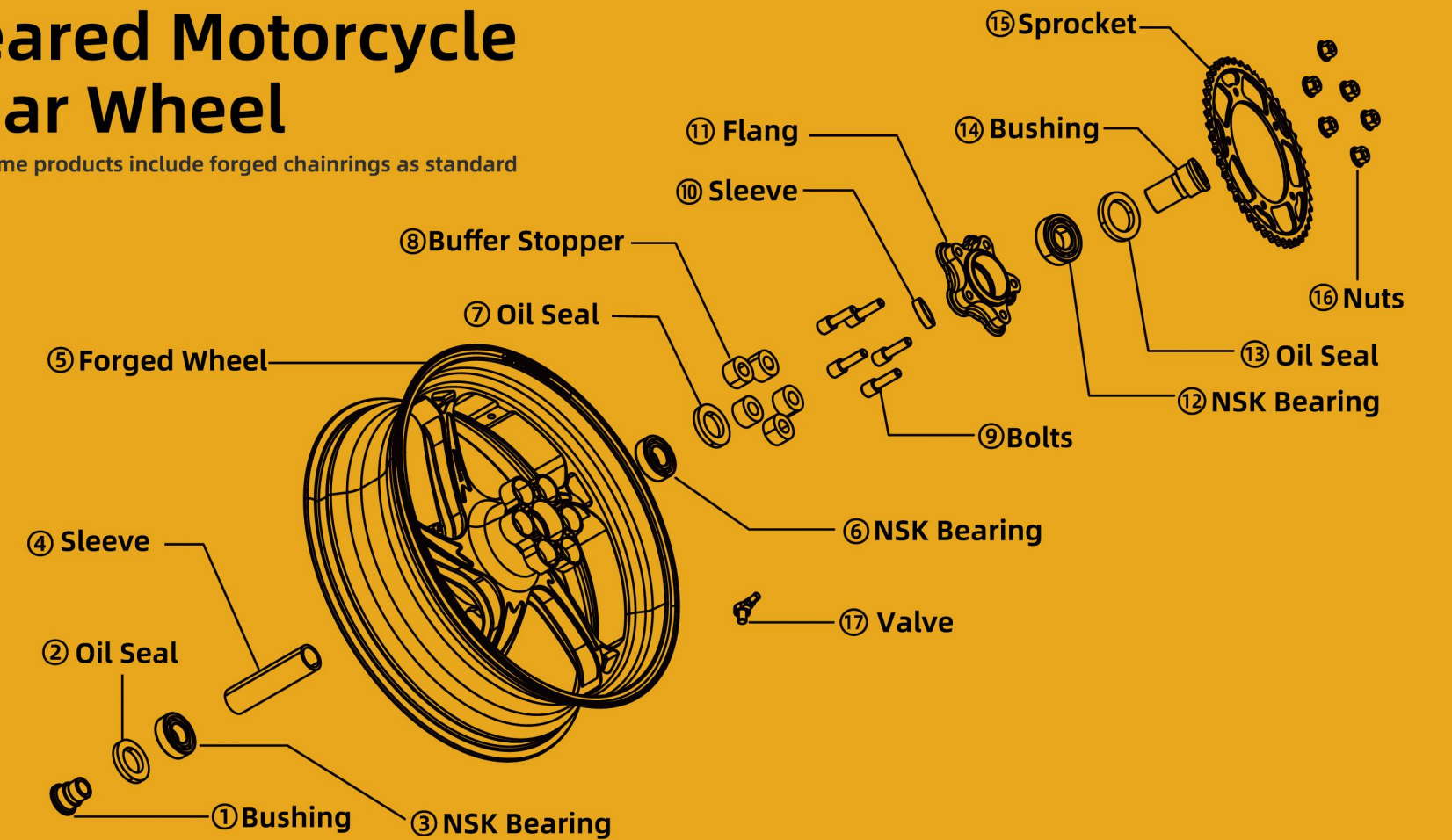


①⑫ Bushing	6061-T6 Forged Aluminum
②⑪ Oil Seal	Rubber
③⑩ NSK Bearing	Steel
④⑨ Bolts	TC4 Titanium Alloy

⑤⑧ Flange	6061-T6 Forged Aluminum
⑥ Sleeve	6061-T6 Forged Aluminum
⑦ Forged Wheel	6061-T6 Forged Aluminum
⑬ Valve	6061-T6 Forged Aluminum

# Geared Motorcycle Rear Wheel

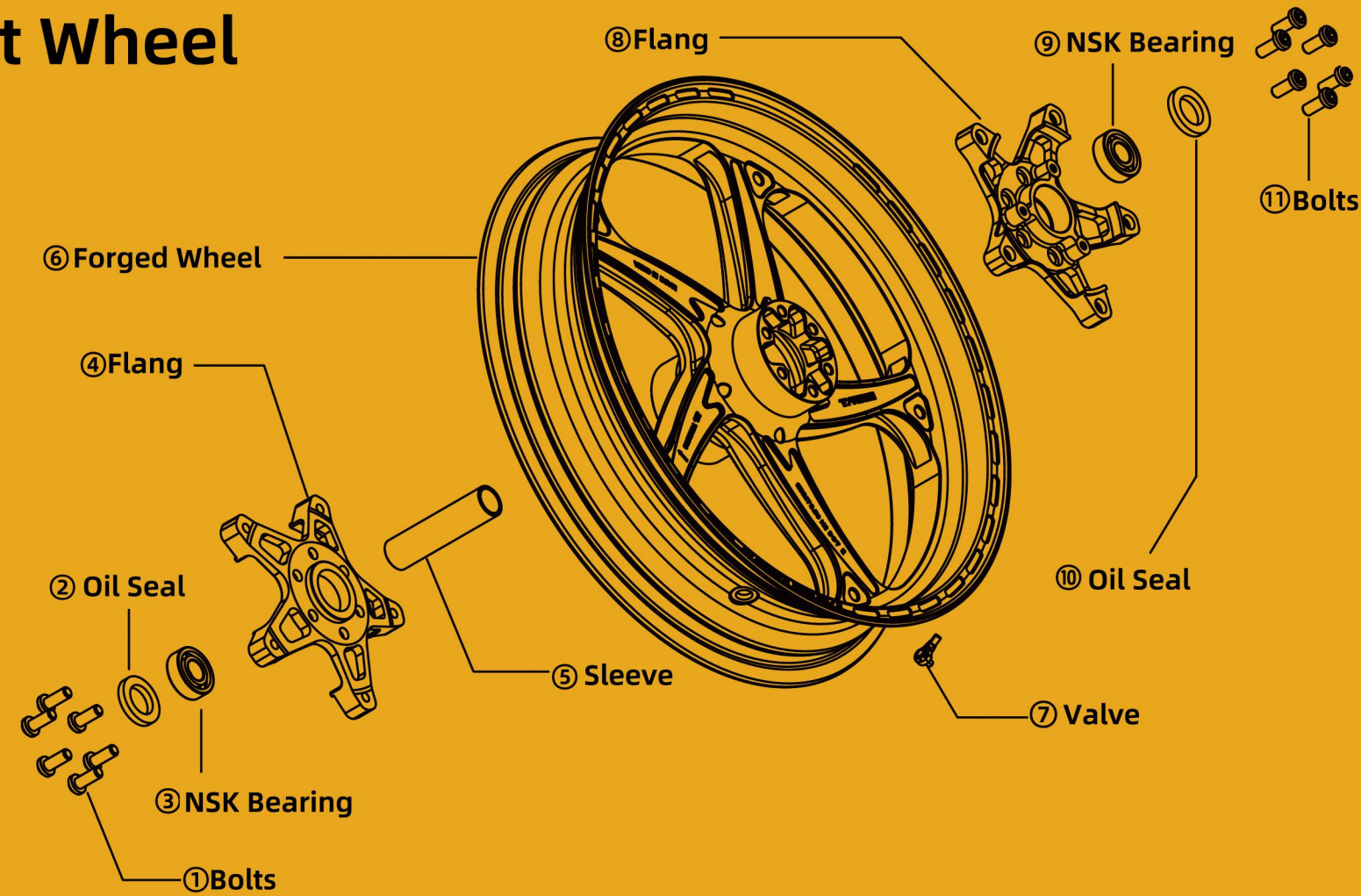
\*Only some products include forged chainrings as standard



①⑭ Bushing	6061-T6 Forged Aluminum
②⑦⑬ Oil Seal	Rubber
③⑥⑫ NSK Bearing	Steel
④⑩ Sleeve	6061-T6 Forged Aluminum
⑤ Forged Wheel	6061-T6 Forged Aluminum

⑧ Buffer Stopper	Rubber
⑨ Bolts	TC4 Titanium Alloy
⑪ Flange	6061-T6 Forged Aluminum
⑮ Sprocket	7075-T6 Forged Aluminum
⑯ Nuts	304 stainless steel
⑰ Valve	6061-T6 Forged Aluminum

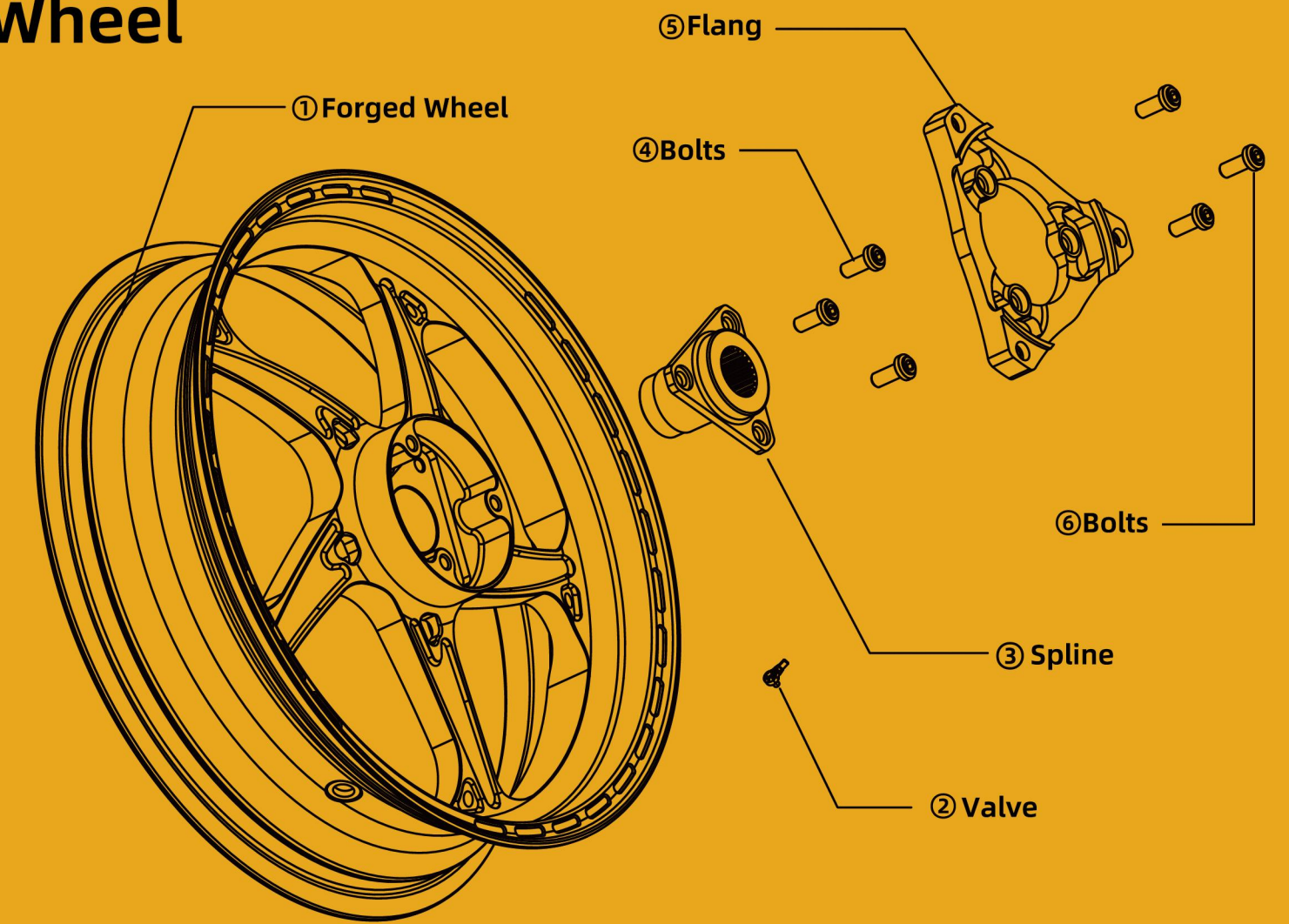
# Maxi Scooter Front Wheel



①⑪ Bolts	TC4 Titanium Alloy
②⑩ Oil Seal	Rubber
③⑨ NSK Bearing	Steel
④⑧ Flange	6061-T6 Forged Aluminum

⑤ Sleeve	6061-T6 Forged Aluminum
⑥ Forged Wheel	6061-T6 Forged Aluminum
⑦ Valve	6061-T6 Forged Aluminum

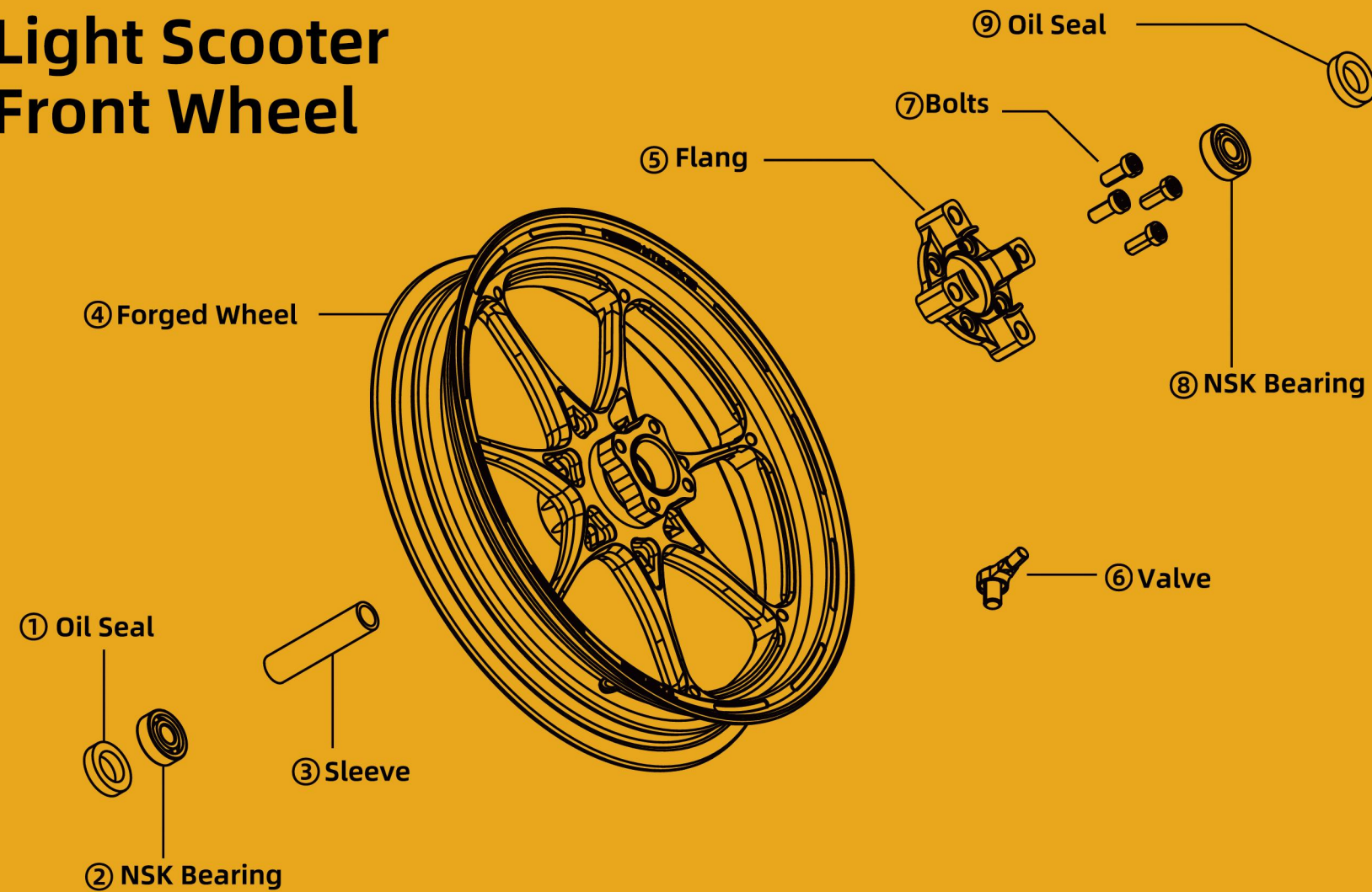
# Maxi Scooter Rear Wheel



① Forged Wheel	6061-T6 Forged Aluminum
② Valve	6061-T6 Forged Aluminum
③ Spline	Steel

④⑥ Bolts	TC4 Titanium Alloy
⑤ Flange	6061-T6 Forged Aluminum

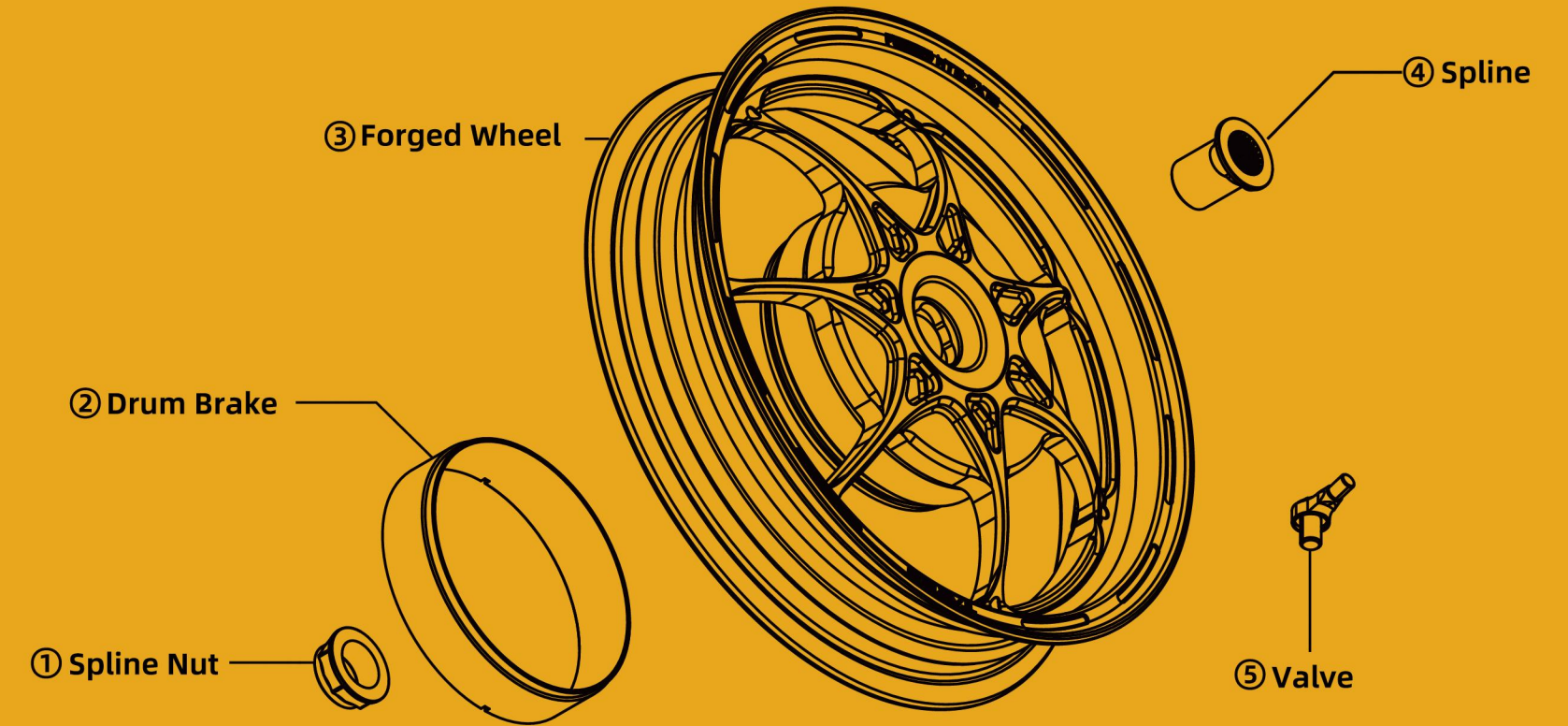
# Light Scooter Front Wheel



①⑨ Oil Seal	Rubber
②⑧ NSK Bearing	Steel
③ Sleeve	6061-T6 Forged Aluminum
④ Forged Wheel	6061-T6 Forged Aluminum

⑤ Flang	6061-T6 Forged Aluminum
⑥ Valve	6061-T6 Forged Aluminum
⑦ Bolts	TC4 Titanium Alloy

# Light Scooter Rear Wheel

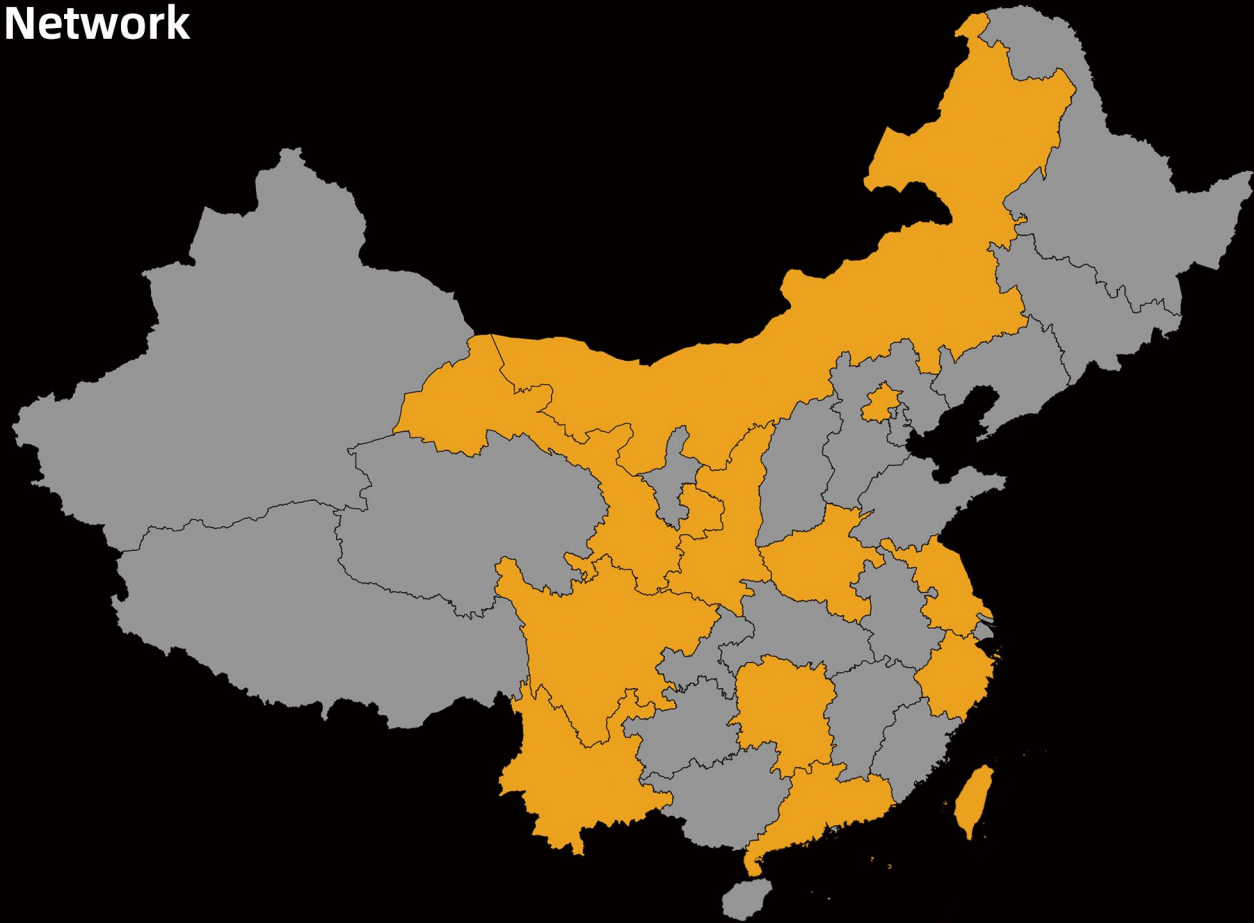


① Spline Nut	Steel
② Drum Brake	Iron
③ Forged Wheel	6061-T6 Forged Aluminum

④ Spline	Steel
⑤ Valve	6061-T6 Forged Aluminum

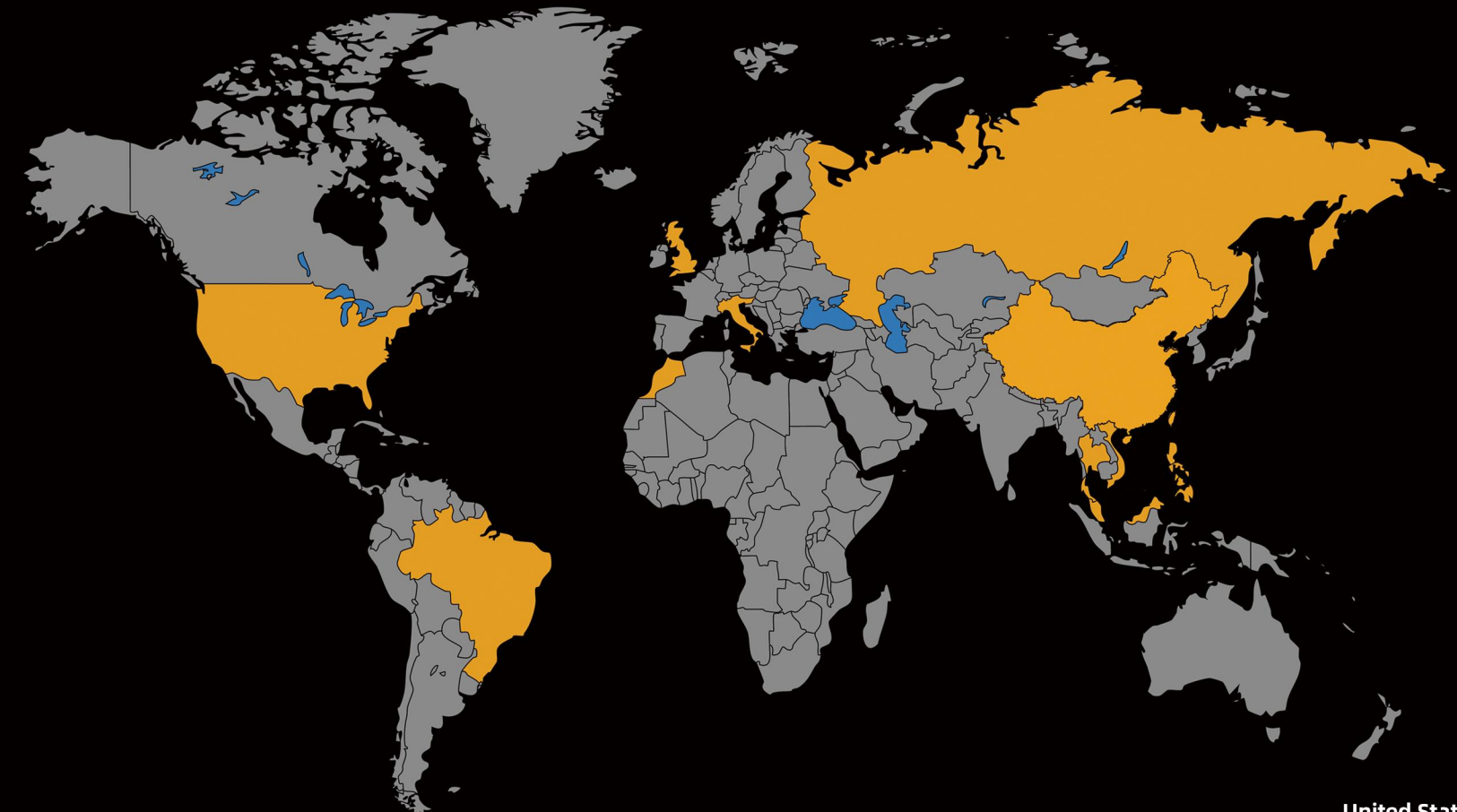


# Global Sales Network



- Beijing ★
- Taiwan
- Jiangsu
- Zhejiang
- Yunnan
- Inner Mongolia
- Shaanxi
- Gansu
- Sichuan
- Henan
- Hunan

China



## Investment Invitation



WhatsApp



Wechat

- United States ,
- Russia
- (Moscow, Saint Petersburg)
- Malaysia
- Vietnam
- Thailand
- Philippines
- Morocco
- Brazil
- Italy
- United Kingdom

World